



# SOLID TO SUCCEED



# XE60G

Crawler Excavator Operating weight: 6000 kg / Bucket capacity: 0.24 m<sup>3</sup> / Rated power: 35.0 kW



Address: No.39 Gaoxin Road, Economic-Technological Development Zone, Xuzhou, Jiangsu, China.  
Post code: 221004 Customer service telephone: 0516-87739944

Materials and specifications are subject to change. All rights reserved without prior notice.  
Featured machines in photos may include additional equipment. See your local dealers for more details.



Ref: G/CN/60/English/2024-03/01

## Applications

Widely used in hydropower, transportation, municipal, landscaping, farmland, and pipeline constructions.

## Features

Electronic control pump has accurate flow matching, and it's easy to handle various conditions with E/P/B intelligent modes;

High comfort due to car level NVH optimization, low noise, wrap-around sun shades, and auto AC with std fresh air system;

Upgraded main pump is less jerky with lower pressure loss for compound movements.

# The whole machine is upgraded and it's the first high-end choice

The flip-over armrest box makes the cab space utilization rate higher and makes it more convenient to enter and exit the cab.

The cab meets the requirements of ROPS and OPG safety indicators stipulated by the national standard, which is safe and worry-free, and minimizes the danger.

New LED low-power and long-life headlights, ultra-wide-angle and high-brightness, making night construction safer.

Widen 0.24 m<sup>3</sup> reinforced bucket, optimized structure, improve the applicability and durability of the bucket to various working conditions.

The platform is widened, the body is heightened, and the shape of the whole machine is atmospheric and stable, which is in line with the modern aesthetic trend and shows the tough guy style.

The fuel tank volume is 18 % larger, with a capacity of up to 130 L, allowing for longer continuous operation and avoiding frequent refueling.

The standard bulldozer shovel hydraulic lock can effectively prevent accidental pipe burst and shovel dropping, and effectively protect the personal safety of the driver.



The left and right sliding windows of the cab and the industry's unique wrap-around sunshade are comfortable to operate without fear of the hot sun.

Fresh air positive pressure cab + high sealing, so that dust is difficult to enter the cab, improve the driving experience, at the same time, the space is increased by 10 %, suitable for drivers of all sizes, worry-free operation, comfortable and safe.

Three-piece metal hood, large maintenance space, easy to clean radiator, so that equipment maintenance work is simple and efficient.

Large-displacement electronically controlled main pump, matched with E/P/B three intelligent modes, easy to cope with various working conditions, easy to operate.

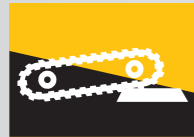
Enlarged supporting wheels, double-arm support bracket sprockets, rail clamps 40 pcs track plates, steady forward, fearless of complex road conditions.

# Reliability

Simulation analysis of structural components and tests under heavy duty conditions improve the overall reliability of the machine.



After the -20 °C low temperature test, the engine is proved to have excellent cold start performance, stable power output, and meet emission standards.



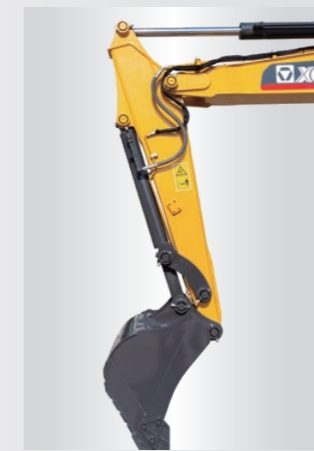
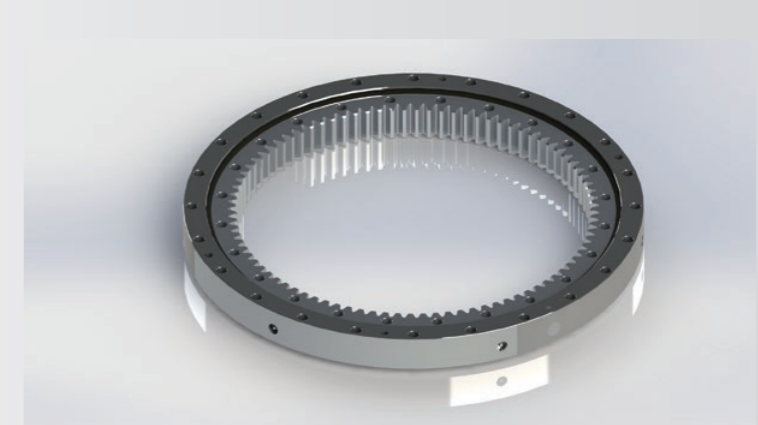
The 200 hours vibration test and 7.5 times load acceleration test were completed to verify the reliability and stability of the entire structure.



After the 3000 meter high-altitude test, it has minimal engine power attenuation and rapid loading response. While maintaining strong power in high-altitude environments, it still has good fuel economy.



The XE60G has completed 3000 hours of excavation, loading, and crushing assessment verification, with stable operation, reliable performance, and all indicators meet the designed requirements.



## Slewing bearing

Enlarged slewing bearing is powerful during rotation and has reliable performance.

## Work equipment

High strength boom and arm with optimized design to meet the needs of high-intensity operations.

## Improved reliability and stability of undercarriage

The enlarged overall undercarriage, combined with larger bottom rollers and dual-support top rollers, can have stronger load-bearing capacity and meet the needs of heavy duty operations.



## Buckets

The reinforced bucket, with capacity of 0.24 m<sup>3</sup>, is reliable and durable.



## Reinforced ribs

Equipped with reinforcing ribs at the end of the arm to improve reliability and service life.

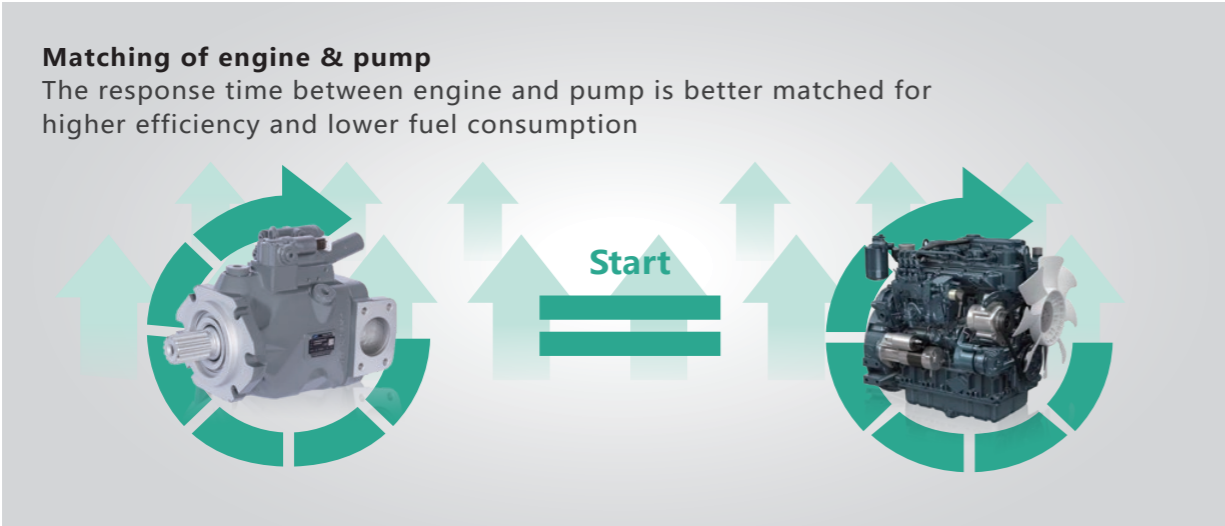


# Improved Fuel Efficiency

# Safety

**The engine and pump are perfectly matched**  
Higher efficiency with lower fuel consumption

Equipped with Kubota mechanical fuel injection engine, with good fuel applicability and low maintenance cost; The XCMG customized engine perfectly matches electric-control large displacement main pump, with customized engine universal characteristic curves, to realize the optimal fuel consumption.



**Enlarged Fuel Tank, Save Downtime**  
Reduce down time

130 L large fuel tank available, with longer working time, save downtime waiting time, and avoid frequent refueling.



**Automatic Idle Speed and Special Gear Matching Technology**  
Reduce fuel consumption

With auto idle feature, the engine returns to idle speed after operations stop; fully investigated customers' habits and working conditions, special matching for common gears has been conducted, and E (Economy) /P (High-efficiency) /B (Breaking) operating modes are available; customers can choose the corresponding operation mode according to the actual working conditions to achieve the best efficiency and fuel consumption.



## Newly developed special-shaped cab for safety upgrades

The cab that meets the OPG&ROPS&TOPS safety certification standards is equipped with tempered glass, safety hammer, flame-retardant interior, two-point seat belt, large rearview mirror to enhance visibility, and optional protective net is available.



Integrated narrow frame skeleton structure with small front side occlusion, wide visual range, small blind spots to improve safety during operations.



Standard hydraulic lock for bulldozer to prevent accidental pipe burst and blade falling, ensuring operator's safety.



Safer at night due to LED lights with good brightness, long lifespan, large wide-angle. Optional alarm lights and buzzers, with sound and light ensure safe transition in jobsites.



High strength irregular steel integrated stamping forming, with good impact resistance, bending resistance, and torsion resistance; meet the requirements of ROPS&TOPS structures.



# Comfort

## Newly upgraded cab, more comfortable, more considerate, and quieter.

Enlarged deluxe cab, internal space increased by 10 %, the working environment is more spacious and comfortable.



**Multi-function buttons:** More intelligent and convenient features such as Air conditioning one-touch turn on, car-grade Bluetooth, one-touch to answer phone, wiper, gear adjustment, music play and other functions.

**Monitor:** 7-inch touch monitor with clear display and smooth operation.

**Suspension seat:** The cab is equipped with a new suspension seat, which reduces operational vibration by 50 % through the cab damping and suspension seat.



**Sunshade:** Four sunshades can block ultraviolet radiation for better operator comfort.

**Adjustable arm rests:** Meet different people's manipulate posture, no fatigue with long time operation, and the armrests allow easy height adjustment without use of tools.

**Gas spring:** The front window of the cab adopt gas spring-assisted structure, which is light and easy to open.

**Air conditioner:** High-power fully automatic cooling and heating air conditioning with air volume increased by 25 %, cooling effect increased by 20 %, and three-dimensional surround air supply improves comfortable body feeling.

**Joystick:** New operating joystick with 30 % lower operating torque dramatically reduces fatigue in long time operation.

### Folding pedals:

Enlarged folding pedals are comfortable and lighter to operate, and it's easy to clean the floor mat.

### Pressurized Cab:

Fully sealed pressurized cab to avoid dust intrusion, noise reduction of 4 dB, quieter working environment.

### Configurations:

Cup holder, storage, power outlet and USB available.



# Maintenance

## Excellent serviceability for easy maintenance

Three-piece metal hood with large maintenance space makes it easy to clean the radiator. The fully open rear hood provides a clear view of the engine compartment components, making maintenance and repair extremely convenient. Mechanical fuel injection system for high oil applicability. Centralized arrangement of electrical boxes, power switches, and batteries for maintenance.



### All maintenance points are within reach

The condenser is easy to disassemble and the radiator is easy to clean. The new push-pull toolbox is convenient for the storage of maintenance tools; The diameter of the fuel filling port is increased by 13 %, making refueling more convenient; Equipped with a grease bucket bracket and a grease gun storage bracket for easy storage of grease and grease gun, and the slewing bearing has a grease tank, and the grease filling port is drawn out to the platform for more convenient filling; The internal and external air filters can be replaced manually.



Wide angle hoods



Air spring



Air filter



Radiator



Tool box



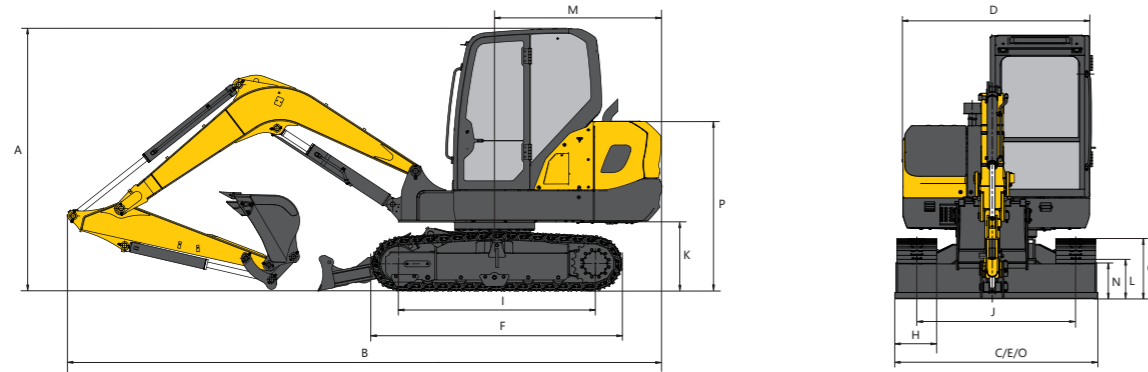
Grease bucket bracket



# Convenient maintenance saves labor hours

# Machine dimensions

# Technical specifications



Item contents	Unit	Parameters
Length of boom	mm	3000
Length of arm	mm	1600

A Overall height		
Cab height	mm	2650
OPG height	mm	2710
Height of warning light	mm	2780

B Overall length		
With boom/arm/bucket installed	mm	6010
With boom/arm installed	mm	5900
With boom installed	mm	5350
With boom/arm/bucket installed (with piping)	mm	6010
With boom/arm installed (with piping)	mm	5900
With boom installed (with piping)	mm	5350

Item contents	Unit	Parameters
C Overall width	mm	2000
D Upper structure width	mm	1880
E Chassis width (extended/retracted)	mm	2000
F Track length	mm	2535
G Track height	mm	606
H Standard track shoe width	mm	400
I Track wheelbase	mm	1990
J Track gauge (extended/retracted)	mm	1600
K Counterweight ground clearance	mm	700
L Minimum ground clearance	mm	380
M Tail Swing Radius	mm	1700
N Dozer blade height	mm	370
O Dozer blade width (unfolded/folded)	mm	2000
P Hood height	mm	1720

Item contents	Unit	Parameters
Operating weight	kg	6000 Including operator (75 kg) Contains 90 % fuel

Engine		
Engine brand/model	-	V2607
Rated power/rpm	kW/rpm	35.0/2200
Direct injection	-	√
4-stroke	-	√
Water-cooled	-	√
Stroke	mm	110
Cylinder bore	mm	87
Number of cylinders	-	4
Maximum torque/rpm	N-m/rpm	171.5/1100~1500
Displacement	L	2.615

Main performance		
Travel speed (high/low)	km/h	3.9/2.4
Swing speed	r/min	11
Maximum swing torque	kN-m	12.2
Gradeability	-	35 ° (70 %)
Ground specific pressure	kpa	33.4
Bucket digging force (SAE)	kN	43.2
Bucket digging force (ISO)	kN	48.3
Arm digging force (SAE)	kN	31.2
Arm digging force (ISO)	kN	32.5
Maximum traction force	kN	70

Track		
Standard track shoe width	mm	400
Number of track shoes (per side)	-	40
Number of track roller (per side)	-	5
Number of track carrier roller (per side)	-	1

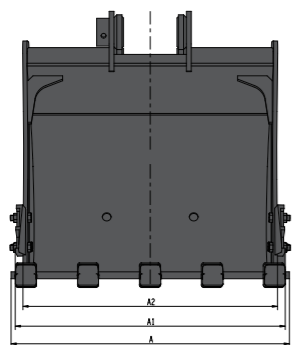
Hydraulic system		
Main pump	-	1×Piston pump
Maximum flow rate of main system	L/min	144
Main system pressure	Mpa	26
Pilot system pressure	Mpa	3.5
Travel system pressure	Mpa	26
Swing system pressure	Mpa	23

Oil capacity		
Fuel tank capacity	L	130
Hydraulic oil tank capacity	L	65

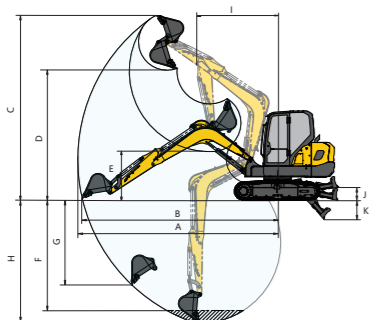
Cab standard		
ISO 10262: 1998 (OPG)	-	√
ISO 12117-2: 2008 (ROPS)	-	√
ISO 12117: 1997 (TOPS)	-	√

# Working range and lifting capacity

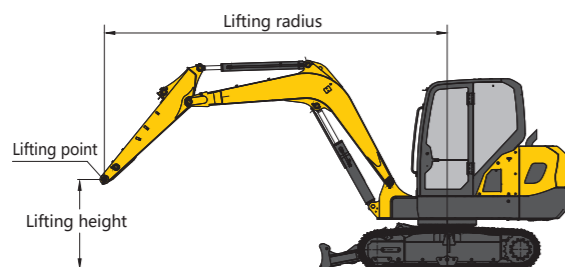
# Standard and optional equipment



Item contents	Unit	Parameters
Transportation dimensions (L*W*H)	mm	860×800×795
Bucket teeth radius	mm	894
Bucket width (main blade) A	mm	800
Bucket width (side teeth) A1	mm	776
Bucket width (side blade) A2	mm	732
Bucket capacity	m <sup>3</sup>	0.24
Weight	kg	164.3



Item contents	Unit	Parameters
Length of boom	mm	3000
Length of arm	mm	1600
A Maximum reach	mm	6130
B Maximum reach at GRP	mm	5990
C Maximum digging height	mm	5600
D Maximum unloading height	mm	3885
E Minimum unloading height	mm	1400
F 8 ft. level floor digging depth	mm	3430
G Maximum vertical digging depth	mm	2680
H Maximum digging depth	mm	3830
I Minimum swing radius	mm	2520
J Maximum lifting height of dozer blade	mm	390
K Max. cutting depth of dozer blade	mm	560



Never attempt to lift or hold any load in excess of the rated lifting capacity at the specified lifting radius and height. The lifting point is located on the lifting eye of the arm.

When determining the net lifting weight allowed for the machine, the weight of the slings and any auxiliary lifting devices must be deducted from the rated lifting capacity. Lifting capacity is based on the machine standing on firm and level ground. The operator should consider working conditions such as soft or uneven ground. Before operating the machine, the operator should familiarize himself with the safety procedures in the relevant manual.

☐ : Over front  
☐ : Over side

Lifting point height (m)	Rated lifting capacity (kg) ☐				Rated lifting capacity (kg) ☐				
	Lifting point radius (m)			Lifting capacity	Lifting point radius (m)			Lifting capacity	Lifting radius
1.5	3	4.5	1.5		3	4.5			
4.5				*990				870	3.80
3			870	750			630	530	4.88
1.5		1640	830	630		1160	580	430	5.24
Grounding		1500	780	640		1030	540	440	5.08
-1.5	*2370	1480		810	*2370	1010		560	4.33

Lifting capacities marked with an asterisk (\*) are limited by hydraulic capacity, see note 2.

Note 1 The lifting capacities in the table refer to the case where no external thrust intervention is included.

Note 2 The lifting capacities in the table should not exceed 75% of the minimum tipping load or 87 % of the hydraulic capacity.

Note 3 The least stable position is on the side of the excavator.

Note 4 The lifting capacity table applies only to machines originally built and normally assembled by the manufacturer.

Note 5 The machine is rated for an operating weight of 6000 kg, which includes 0.4 m steel tracks, a 3 m boom, a 1.6 m arm, a 305 kg counterweight, all working fluids, and a 75 kg operator, exclusive of the bucket.

Note 6 Lifting capacity shall be in accordance with ISO 10567:2007.

Note 7 For all configurations of track specifications, the lifting capacity is kept within ±5%.

## WORK EQUIPMENT

- 3.0 m boom ●
- 1.6 m arm ●

## CABIN

- Cab ●
- Seat (Mechanical suspension seat) ●
- Front lower cab guard ○
- Front upper cab guard ○
- Cab top guard ○
- AM/FM Bluetooth radio ●

## ATTACHMENTS

- Quick-coupler piping ○
- Quick coupler ○
- Breaking piping ○
- Side type hydraulic hammer ○
- General duty bucket T1: capacity: 0.24 m<sup>3</sup>; width: 800 mm; weight: 164 kg. ●

## UNDERCARRIAGE

- Track 1: 400 mm triple grouser shoes ●
- Track 2: 600 mm triple grouser shoes ○
- Rubber track shoes (400 mm) ○

## ELECTRIC

- Displayer languages: Chinese, English, Russian, Portuguese, Spanish, French, Italian, German ●
- Rotating warning beacon ○
- Travel alarm ○

## OTHER EQUIPMENT

- Counterweight: 305 kg standard ●
- Refueling pump ○

● Standard ○ Optional

# XCMG

## SOLID TO SUCCEED